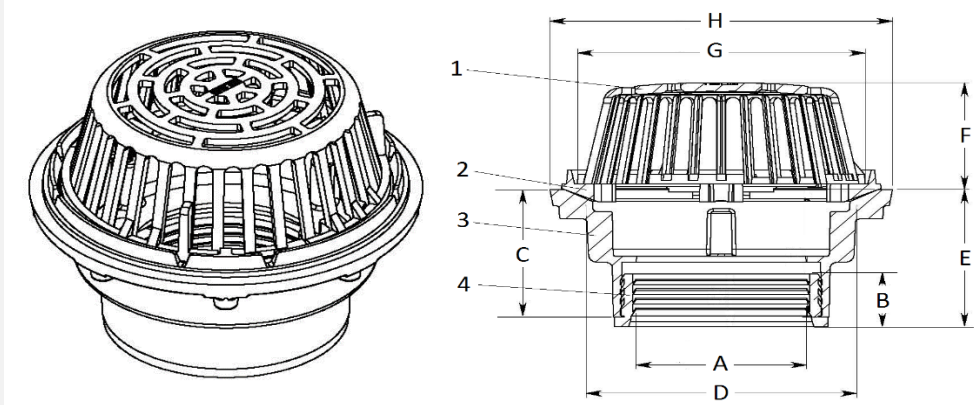


ROOF DRAIN CAST IRON BODY WITH 12" CAST IRON DOME
MODEL NO: R2112-CC-6



✓ **PRODUCT DESCRIPTION:** Epoxy Coated Cast Iron Body Roof Drains with 12" [305mm] diameter Cast Iron Dome. Combination membrane clamping collar with Inside Gasket outlet Connection.

✓ **CRITICAL TO QUALITY (CTQ) DIMENSION :**

DIMENSION	DESCRIPTION	DIMENSION IN INCHES {mm}
A	PIPE SIZE	6 (152)
B	GASKET HEIGHT	2-3/16 (55)
C	C.I BODY HEIGHT	5-1/4 (133)
D	BODY DIAMETER	9-1/2 (241)
E	C.I BODY HEIGHT WITH GASKET	5-5/8 (143)
F	DOMES WITH CLAMP HEIGHT	4-3/8 (111)
G	DOMES DIAMETER	10-1/16 (256)
H	C.I BODY DIAMETER	12-1/64 (305)
DOMES OPEN AREA Sq. In. (cm ²)		78 (503)
OUTLET TYPE		INSIDE GASKET

✓ **LIST OF COMPONENTS :**

COMPONENT	DESCRIPTION
1	CAST IRON DOME
2	CAST IRON CLAMPLING COLLAR
3	CAST IRON BODY
4	NEO LOC GASKET
5	GI HEX BOLT 10X25
6	GI PLATE WASHER ID 11.3 X OD 25.7 X 2.5MM THICK